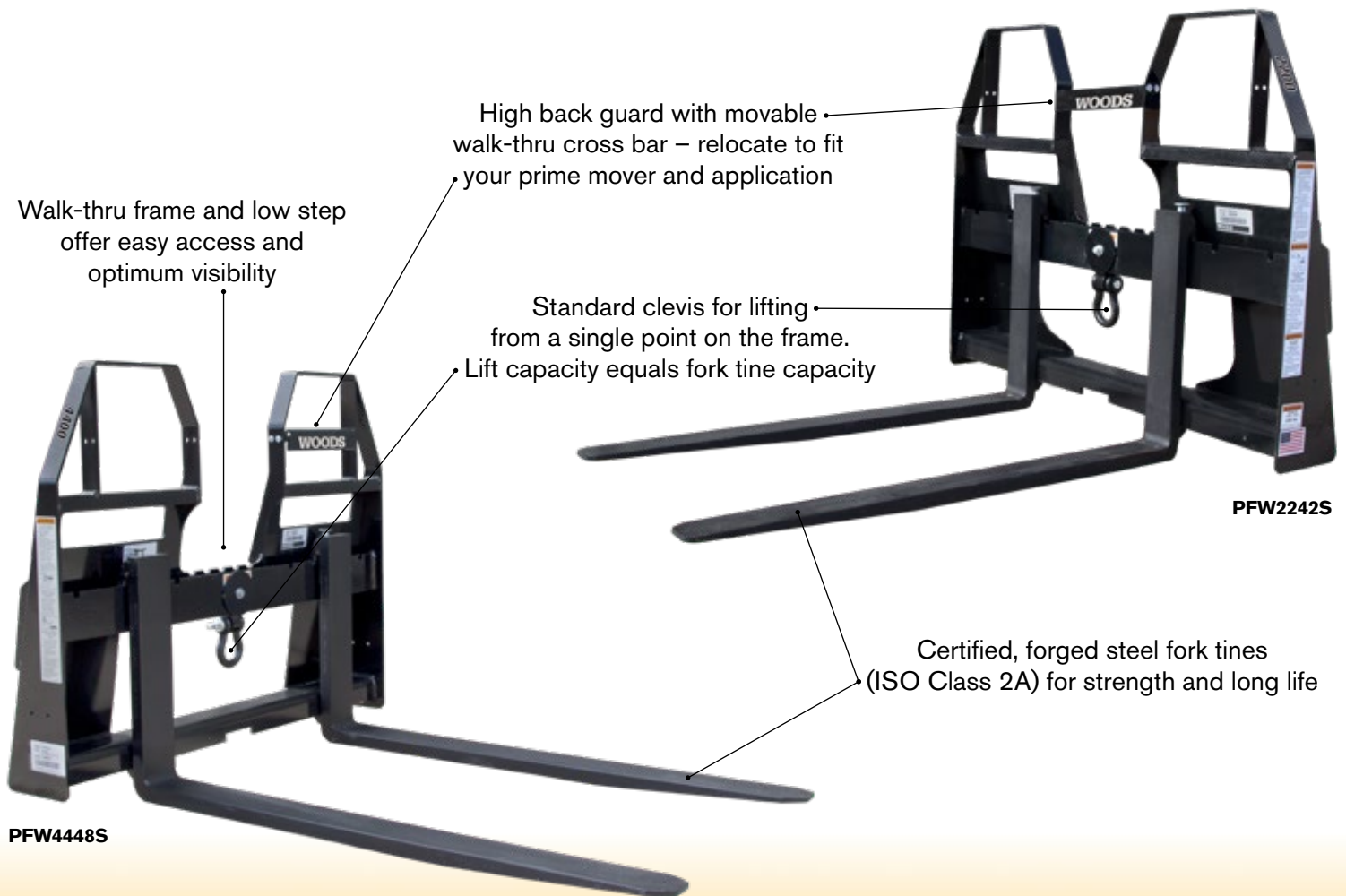


WOODS *New* WALK-THRU PALLET FORKS

Attaches to loader or skid steer

Woods' versatile, new Pallet Forks are designed with a full-height frame and walk-thru capability. Ideal for lifting and moving material with your loader or skid steer. Choose from 2,200, 4,400, or 6,600 lb. fork capacity.




Robotically welded for consistent high quality. Compatible with Skid Steer (ISO 24410), John Deere®, and ISO 23206 Quick Attach Systems. Learn more about Woods Loader and Skid Steer attachments at www.woodsconstructionequipment.com.

Woods Walk-thru Pallet Forks

Specifications	PFW2242S	PFW2242JD	PFW2242E	PFW4442S	PFW4442JD	PFW4442E
Frame Type	walk-thru with full frame option					
Coupler System Compatibility	skid steer	John Deere®	ISO 23206	skid steer	John Deere®	ISO 23206
Operating Weight	275 lbs.	255 lbs.	235 lbs.	360 lbs.	360 lbs.	350 lbs.
Fork Capacity at 19.7" from Tine Face	2,200 lbs.	2,200 lbs.	2,200 lbs.	4,400 lbs.	4,400 lbs.	4,400 lbs.
Fork Tine Dimensions (L x W x H)	42" x 3.2" x 1.2"			48" x 3.9" x 1.4"		
Fork Tine Spread Range	12"-45" outside to outside					
Fork Tine Type	double hook lock down (ISO Class 2A)					
Clevis	standard					

Specifications	PF4448S	PFW4448S	PFW4448JD	PFW4448E	PFW6648S	PFW6648E
Frame Type	full frame	walk-thru with full frame option				
Coupler System Compatibility	skid steer	skid steer	John Deere®	ISO 23206	skid steer	ISO 23206
Product Weight	390 lbs.	380 lbs.	380 lbs.	370 lbs.	470 lbs.	455 lbs.
Fork Capacity at 19.7" from Tine Face	4,400 lbs.	4,400 lbs.	4,400 lbs.	4,400 lbs.	6,600 lbs.	6,600 lbs.
Fork Tine Dimensions (L x W x H)	48" x 3.9" x 1.4"				48" x 3.9" x 1.8"	
Fork Tine Spread Range	12"-45" outside to outside					
Fork Tine Type	double hook lock down (ISO Class 2A)					
Clevis	standard					



Got ideas?
Join our customer panel at woodsequipment.com/power.
You have the power...

WOODS® | A Blount International Brand
2606 South Illinois Route 2, Oregon, Illinois 61061 tel 800-319-6637
www.woodsconstructionequipment.com

WOODS
A Blount International Brand

Warning! Some images may show safety shields removed to provide a better view. Equipment should never be operated with any safety shield removed. Some machines in this brochure may be shown with optional equipment. Always operate machines in accordance with supplied operator's manuals. ©2018 Woods Equipment Company. All rights reserved. WOODS, and the Woods logo are trademarks of Woods Equipment Company. All other trademarks, trade names, or service marks not owned by Woods Equipment Company that appear in this brochure are the property of their respective companies or mark holders. Specifications subject to change without notice.